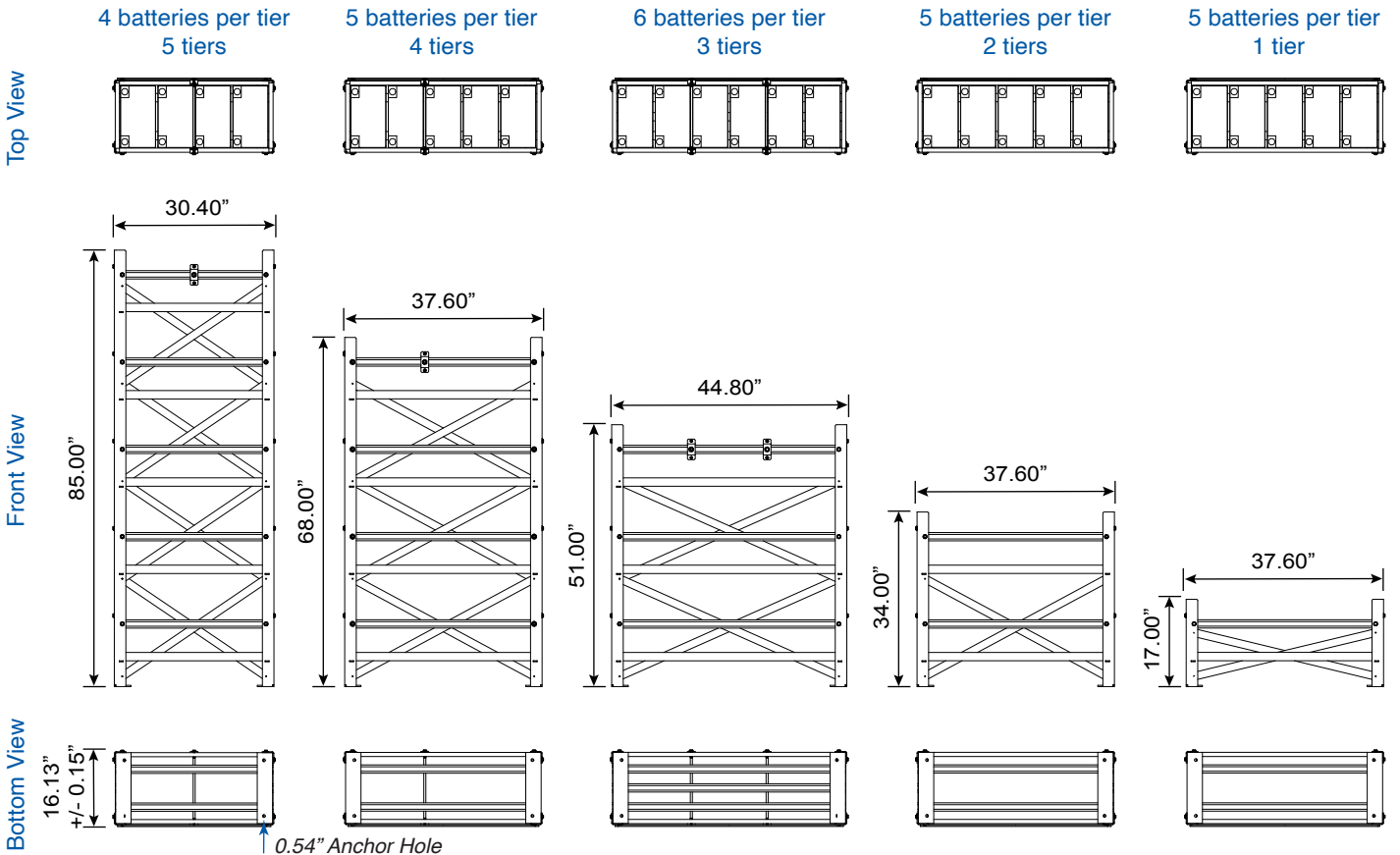
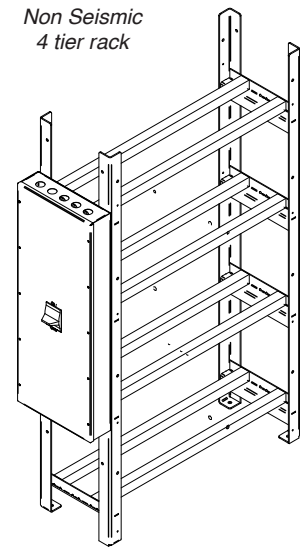
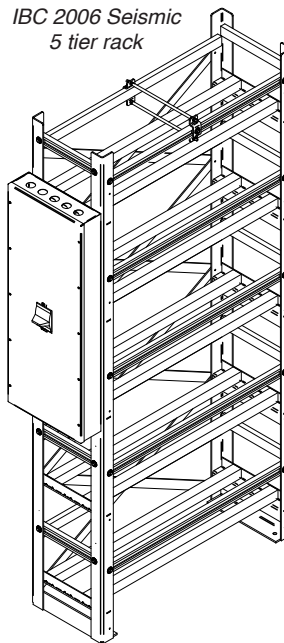


VRLA Rack

Features:

- IBC 2006 Seismic Certified, see corresponding Seismic Product Data Sheet
- Rack mechanical features:
 - Welded heavy gauge steel welded construction
 - Acid resistant powder coat epoxy paint
 - Standard variations include multi-tier, single row, double row or stairstep
 - Can be installed end to end and back to back.
- Designed to accommodate all VRLA UPS battery makes and models, including many others not listed on this sheet
- Optional items include:
 - DC Rated breakers
 - Battery string output junction panels
 - Intercell and interior connectors
 - Battery terminal and rail covers
 - Battery rack polycarbonate covers
 - Top mountings for battery monitoring

For IVR Rack Series C&D Dynasty
 UPS12-540MR, UPS12-490MR, UPS12-400MR, UPS12-600MR



For applications assistance, please contact
sales@IntraPack.com or call 214-348-7105

Effective Date: 04/29/20