

"L" Terminal Covers

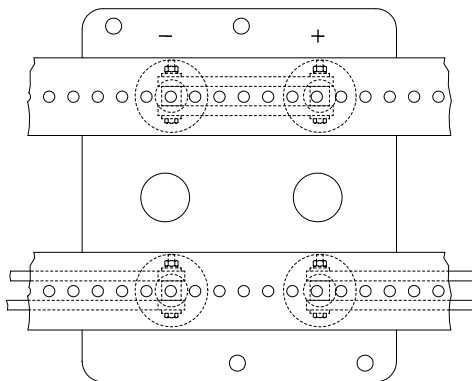
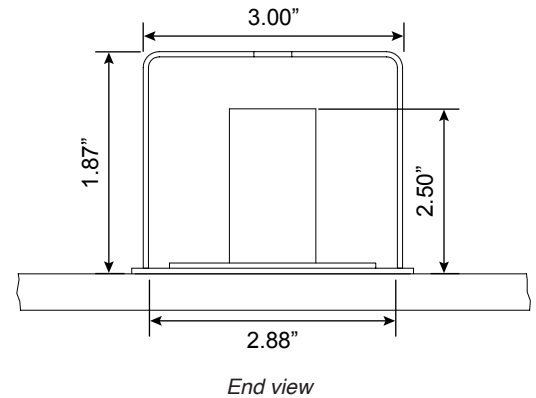
Features:

Terminal Cover

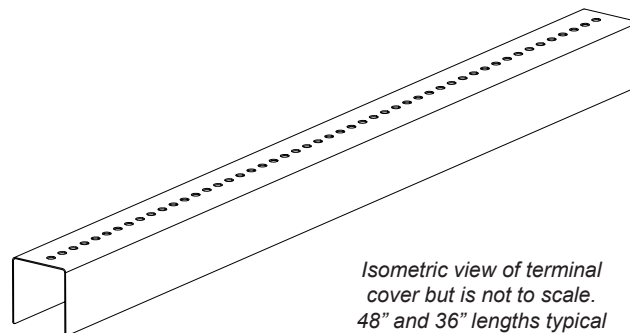
- Manufactured from clear impact resistant polycarbonate that has high temperature performance
- The transparent polycarbonate allows for clear visual of battery terminals
- Access holes punched across the top for ease in battery testing
- Custom lengths available on request

Designed to fit the C&D XT Series batteries and the C&D L Series batteries

Battery Orientation	Material Rating	Part Number	Length (inches)
Standard	UL94V2	IPCOVCDL001	48"
Standard	UL94V2	IPCOVCDL002	36"
Standard	UL94V0, LOI>28	IPCOVCDL003	48"
Standard	UL94V0, LOI>28	IPCOVCDL004	36"



Top view



Effective Date: 04/03/20