

# DX Terminal Covers

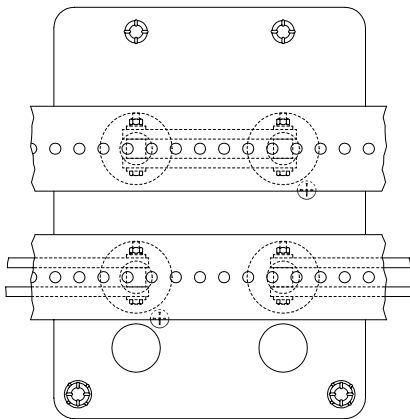
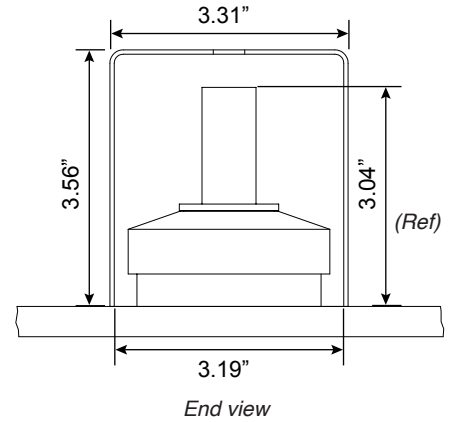
## Features:

Terminal Cover

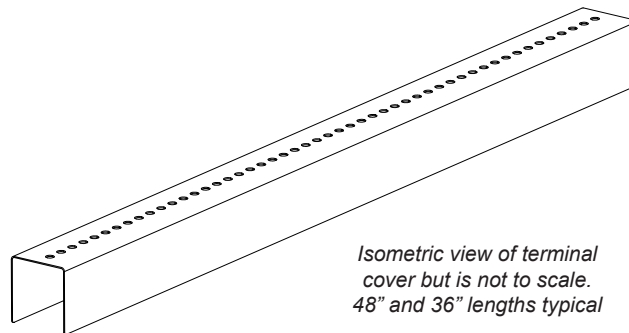
- Manufactured from clear impact resistant polycarbonate that has high temperature performance
- The transparent polycarbonate allows for clear visual of battery terminals
- Access holes punched across the top for ease in battery testing
- Custom lengths available on request

*Designed to fit the Enersys DX Series batteries*

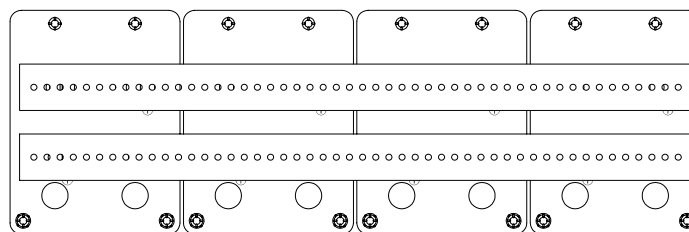
Battery Orientation	Material Rating	Part Number	Length (inches)
Standard	UL94V2	IPCOVEDX001	48"
Standard	UL94V2	IPCOVEDX002	36"
Rotated	UL94V0, LOI>28	IPCOVEDX003	48"
Rotated	UL94V0, LOI>28	IPCOVEDX004	36"



Top view



Isometric view of terminal cover but is not to scale. 48" and 36" lengths typical



Top view

Effective Date: 04/03/20