
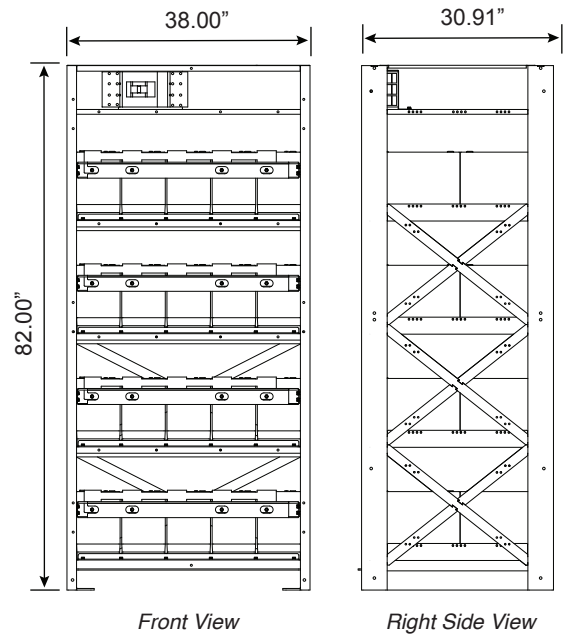


IR5 Top Terminal Battery Rack

Features:

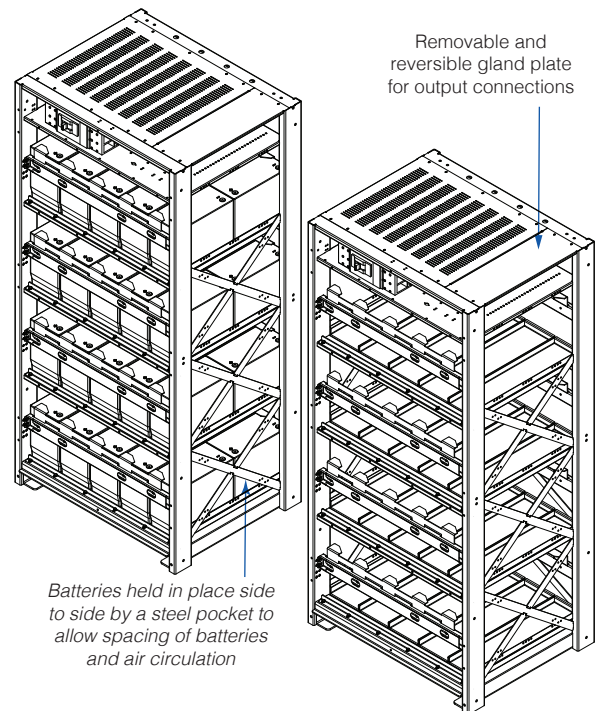
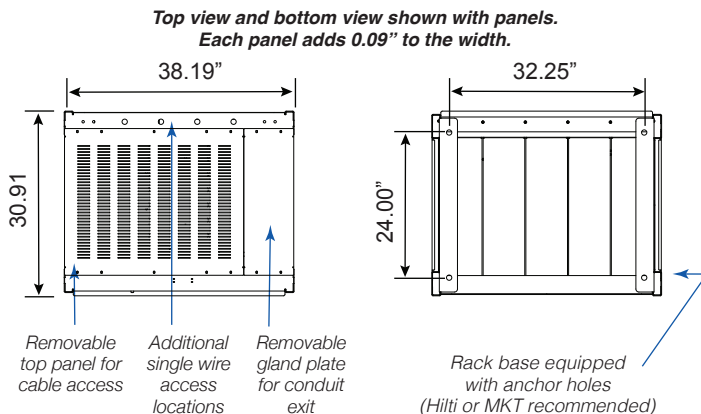
-  UL Listed 5th Edition.
- IBC 2018 Seismic Certified.
- Designed for 40 standard 12 volt top terminal batteries in 480VDC nominal configuration.
- Rack Mechanical Features:
 - Frame made with welded heavy gauge steel
 - Steel tubing used in the main frame components
 - Frame painted with acid resistant powder coat paint
 - Front and back accessible to standard material handling equipment
 - Dedicated area for output connections and cable routing
 - Battery connections are accessible from all sides of the cabinet
 - Cabinet top designed for output cables from adjacent cabinets
 - Designed to accommodate monitor harness installation
 - Large gland plate can be used for conduit or raceway mountings
 - Poly-carbonate fronts covering open battery area
- System Electrical Features:
 - DC rated breakers and their options are available in each cabinet
 - Breaker installed horizontally to lessen the chance of opening during a seismic event
 - Accommodates multiple manufacturers' breaker
 - Breakers connected in split string method (20 Batteries - Breaker - 20 Batteries)
- Optional Items:
 - Breaker installed mid-rack to lower the height of the breaker
 - Breaker lockout hasp (padlock not included)
 - Seismic Anchor Brackets
 - Spill Containment Pan System
 - Installation of battery monitors or harnesses
 - Crating available for sea freight with vapor seal

Designed for 480VDC nominal battery systems



Frame Mechanical Dimensions

Width	Depth	Height	Weight without batteries
38.00"	31.00"	82.00"	650lbs



For applications assistance, please contact sales@IntraPack.com or call 214-348-7105

Effective Date: 02/10/20