
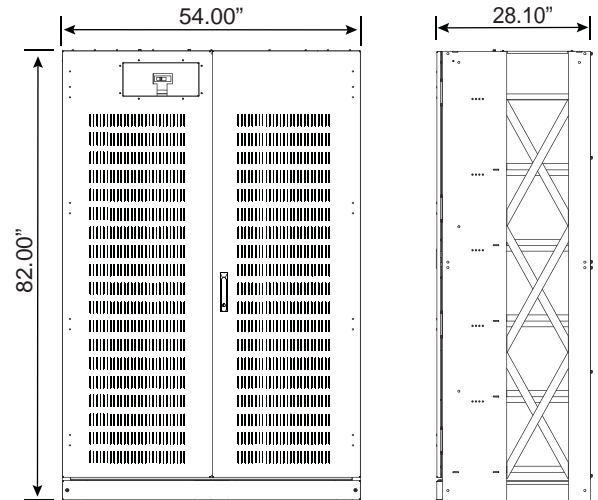


IP8F1K Front Terminal Battery Cabinet

Features:

-  US UL Listed 5th Edition.
- IBC 2018 Seismic Certified.
- Designed for 40 standard 12 volt front terminal batteries in 480VDC nominal configuration.
- Cabinet Mechanical Features:
 - Frame made with welded heavy gauge steel
 - Steel tubing used in the main frame components
 - Frame painted with acid resistant powder coat paint
 - Doors and panels removable, easing installation and maintenance
 - Front and back accessible to standard material handling equipment
 - Pocket in the right door holds manuals and maintenance records
 - Dedicated area for output connections and cable routing
 - Ventilation grills on the doors, side, rear and top panel
 - Removable universal side panels install on either side of frame
 - Battery connections are accessible from all sides of the cabinet
 - Cabinet top designed for output cables from adjacent cabinets
 - Designed to accommodate monitor harness installation
 - Large gland plate can be used for conduit or raceway mountings
- System Electrical Features:
 - DC rated breakers and their options are available in each cabinet
 - Breaker installed horizontally to lessen the chance of opening during a seismic event
 - Accommodates multiple manufacturers' breaker
 - Breakers connected in split string method (20 Batteries - Breaker - 20 Batteries)
- Optional Items:
 - Breaker installed mid-cabinet to lower the height of the breaker
 - Breaker lockout hasp (padlock not included)
 - Poly-carbonate fronts covering open battery area
 - Seismic Anchor Brackets
 - Spill Containment Pan System
 - Installation of battery monitors or harnesses
 - Forced air fan assemblies
 - Crating available for sea freight with vapor seal

Designed for 480VDC nominal battery systems

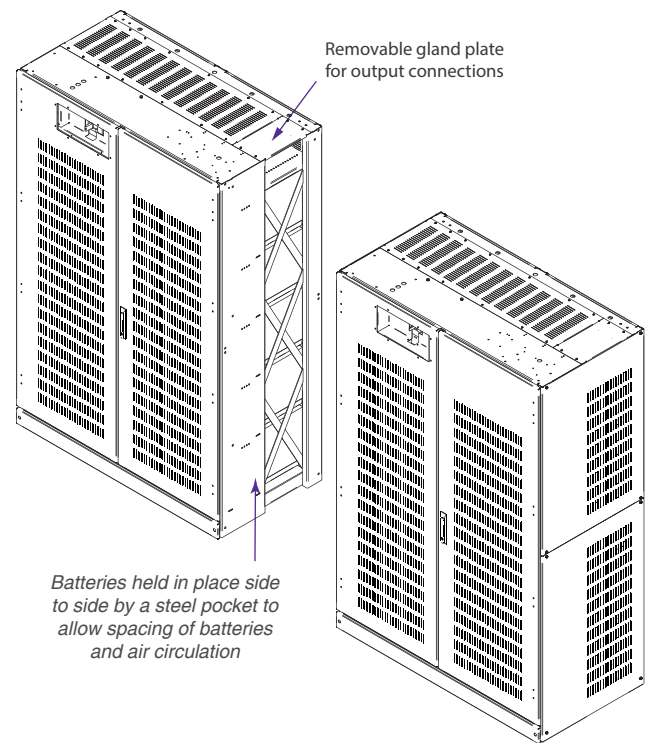


Front View

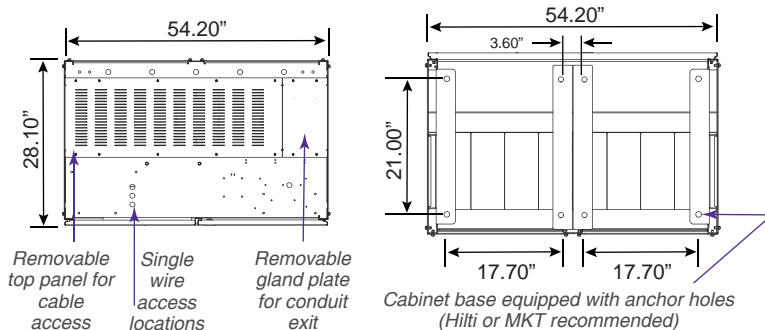
Right Side View

Dimensions shown for the frame only

All panels and doors are removable for ease of maintenance.



*Top view and bottom view shown with panels.
Each panels add 0.096" to the width.*



For applications assistance, please contact sales@IntraPack.com or call 214-348-7105

Effective Date: 06/19/19