


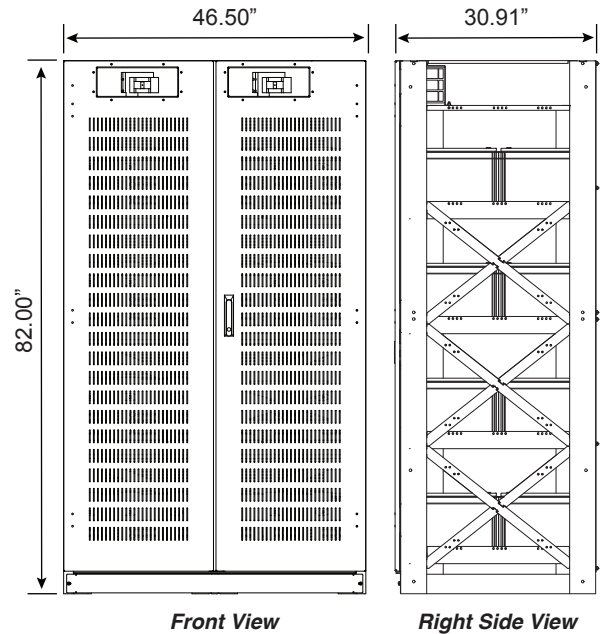
IP6 Top Terminal Battery Cabinet

Features:

Designed for 2 strings of 288VDC nominal battery systems

-  UL Listed 5th Edition.
- IBC 2018 Seismic Certified.
- Designed for 48 standard 12 volt top terminal batteries in 288VDC nominal configuration.
- One of the tightest footprints available. A space saving footprint saves valuable equipment room floor space.
- Cabinet mechanical features:
 - Welded heavy gauge steel.
 - Acid resistant powder coat epoxy paint.
 - Doors and panels are removable, easing installation and maintenance.
 - Front and back of cabinet is accessible to standard material handling equipment.
 - Can be installed in single or multiple cabinet lineup.
 - Locking right door has pocket to hold manuals and maintenance records.
 - Designed to accommodate monitor harness installation.
 - Dedicated area for electrical output connections and cable routing.
 - Improved ventilation through rear, top, and side panels.
 - Removable side panels are designed as universal for installation on either side of frame.
 - Batteries are accessible from all sides of the cabinet.
- System electrical features:
 - DC rated breakers in each cabinet with UVR or Shunt Trip and Aux Contacts.
 - Breaker installed horizontally to lessen the chance of opening during a seismic event.
 - Accommodates multiple manufacturers' breaker designs.
 - Removable breaker mount for other optional output connections.
- Optional items include:
 - Floorstands
 - Seismic Anchor Brackets
 - Spill Containment Pan System
 - Installation of battery monitors or harnesses
 - Junction cabinets for one connection point to the UPS
 - Forced air fan assemblies

For applications assistance, please contact sales@IntraPack.com or call 214-348-7105

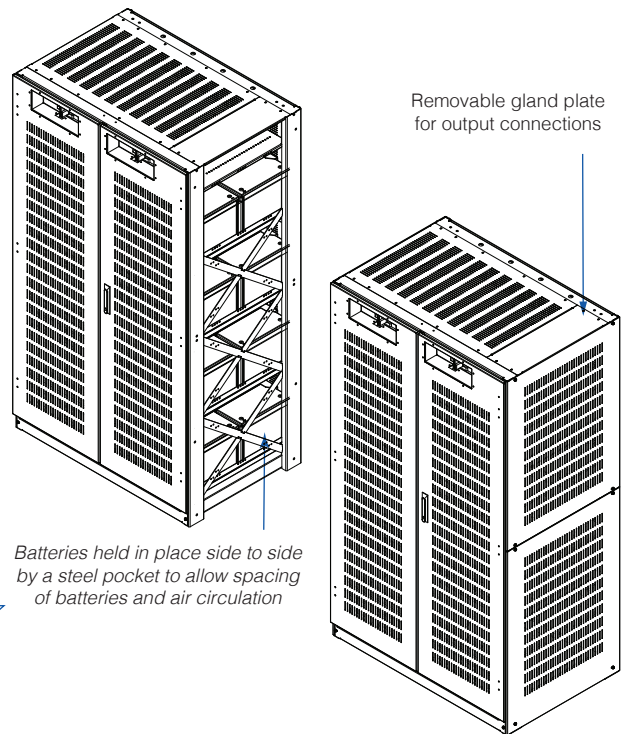
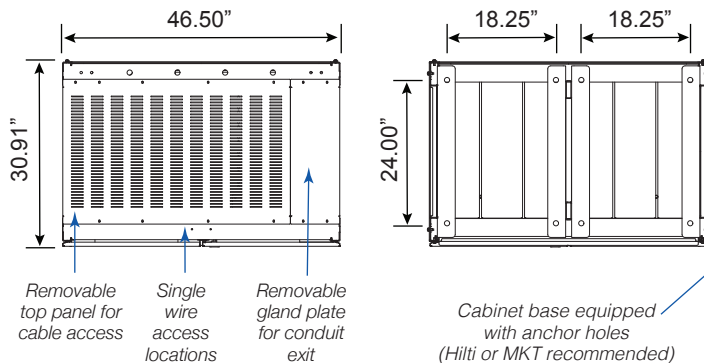


Front View

Right Side View

Dimensions shown for the frame only

Top view and bottom view shown with panels.
Each panel adds 0.09" to the width.



Effective Date: 04/23/20