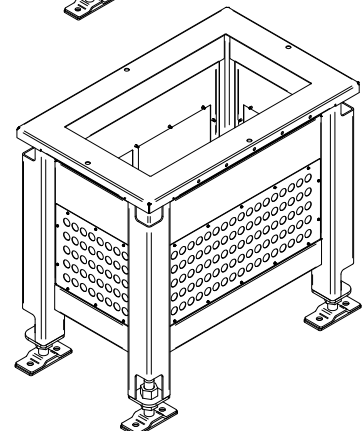
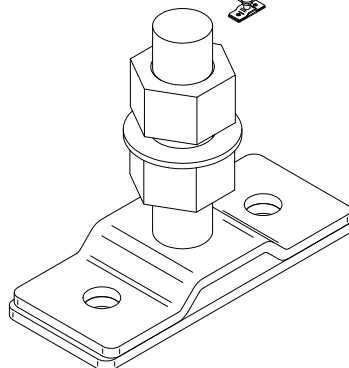
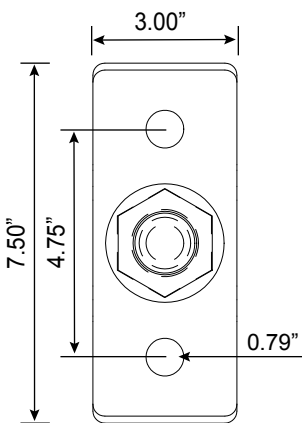
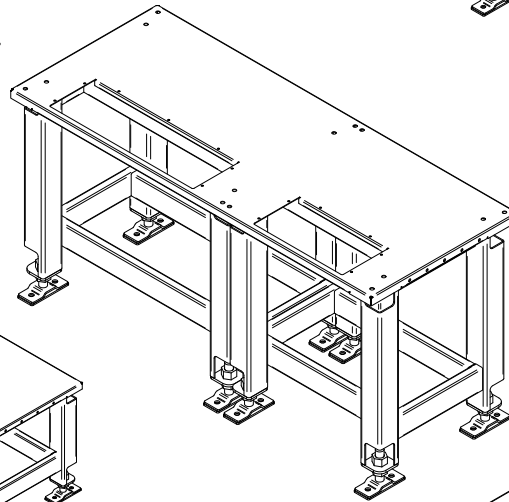
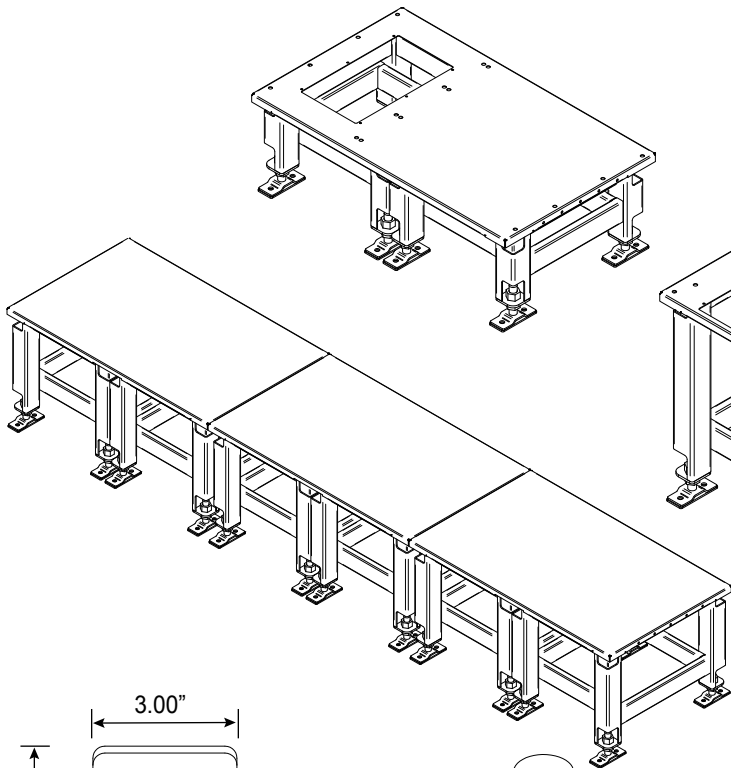
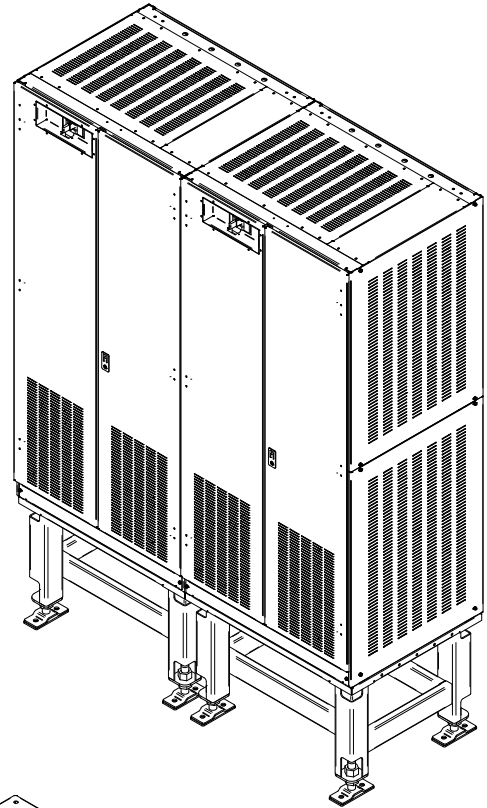


Data Center Floorstands

Features:

- Customized cover plates align with anchor bolt locations and bottom cable entry of supported equipment. This matched design allows cable access while restricting escaping air conditioning.
- Optional side panels with conduit knockouts further restrict escaping air.
- Stands can be bolted together in series.
- Leveling feet designed to allow rotation and anchoring to the floor.
- Custom designed for any height of raised floor.
- Most stands adhere to the highest seismic standards allowed under IBC 2018
- Stands can be designed for any equipment that needs support such as UPS's, PDU's, and battery cabinets



Effective Date: 02/17/20