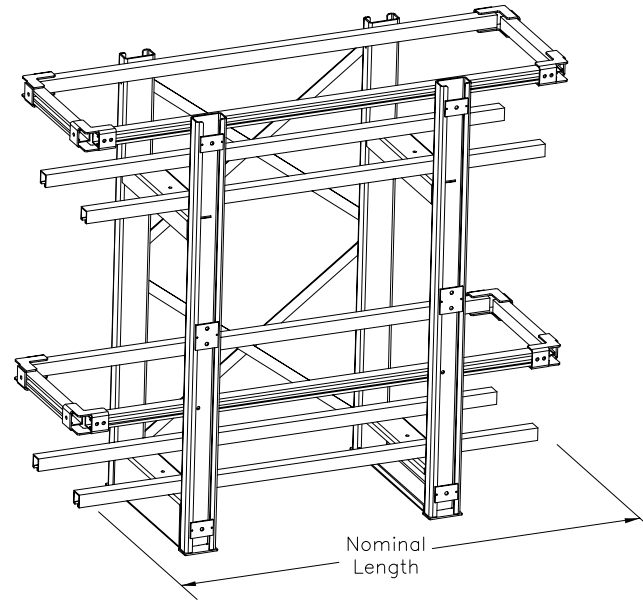


IntraPack Wetcell Rack Part Number Breakdown



IPRDX2116Z4

IPR DX 2 1 16 Z4

- IPR = IntraPack Wetcell Rack
- *DX = Battery Type
- 2 = Number of Tiers
- 1 = Number of Rows
- 16 = Rack Nominal Length in Feet
- Z4 = Seismic Rating of the Rack
Z4, Z2, or Z0

*Battery Type Breakdown

- GPN = GNB NCT or PDQ Battery
- GM = GNB MCT Battery
- GH = GNB HCT Battery
- DX = EnerSys DX Battery
- CX = EnerSys CX or CC Battery
- ES = EnerSys ES or EC Battery
- CDL = C&D L Battery

Rack Description = Wetcell Rack, DX 2 Tier, 16ft, Z4

	10817 Sanden Drive Dallas, Tx. 75238 Tel: 214-348-7105 Fax: 214-348-7115	
	WWW.INTRAPACK.COM	
IntraPack Wetcell Rack Part Number Breakdown		
DRAWING WETCELL-P/N-ILS	DATE 11-22-05	REV A