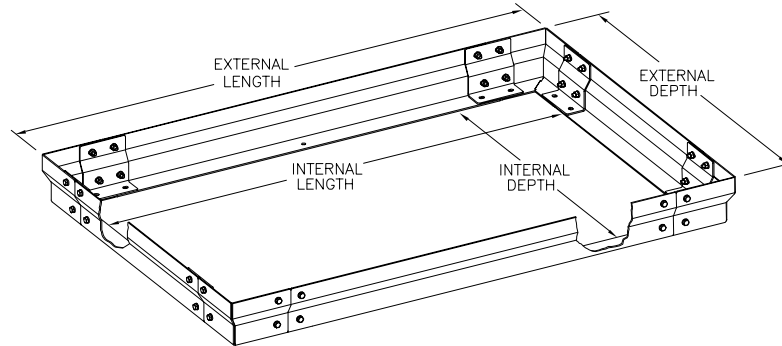


IntraPack Spill Containment Part Number Breakdown

IPS-25.5-100.0-1

IPS 25.5 100.0 1



- IPS = IntraPack Spill Containment
- 25.5 = Internal Depth Dimension
- 100.0 = Internal Length Dimension
- *1 = Kit Type

*Kit Type Breakdown

- 1 = Includes standard application tools.
- 2 = Includes standard application tools and epoxy kit.
- 3 = Includes standard application tools and floorcovering kit.

Spill Containment Descriptions = IPS Kit, 25.5 x 100.0
 IPS Kit w/ Epoxy, 25.5 x 100.0
 IPS Kit w/ Floorcovering, 25.5 x 100.0

Note: Add 4.5" to Internal Dimensions to determine External Dimensions.

	10817 Sanden Drive Dallas, Tx. 75238 Tel: 214-348-7105 Fax: 214-348-7115	
	WWW.INTRAPACK.COM	
IntraPack Spill Containment Part Number Breakdown		
DRAWING SPILL-P/N-ILS	DATE 11-22-05	REV A